

POWER DISTRIBUTION UNIT KIT

Quick Installation Guide for
Rack-Mounted Power Distribution Unit (PDU)
High Voltage Models

Open Guide Completely Before
Beginning Installation Procedures



NOTICE

The information in this publication is subject to change without notice.

COMPAQ COMPUTER CORPORATION SHALL NOT BE LIABLE FOR TECHNICAL OR EDITORIAL ERRORS OR OMISSIONS CONTAINED HEREIN, NOR FOR INCIDENTAL OR CONSEQUENTIAL DAMAGES RESULTING FROM THE FURNISHING, PERFORMANCE, OR USE OF THIS MATERIAL. THIS INFORMATION IS PROVIDED "AS IS" AND COMPAQ COMPUTER CORPORATION DISCLAIMS ANY WARRANTIES, EXPRESS, IMPLIED OR STATUTORY AND EXPRESSLY DISCLAIMS THE IMPLIED WARRANTIES OF MERCHANTABILITY, FITNESS FOR PARTICULAR PURPOSE, GOOD TITLE AND AGAINST INFRINGEMENT.

This publication contains information protected by copyright. No part of this publication may be photocopied or reproduced in any form without prior written consent from Compaq Computer Corporation.

© 2000 Compaq Computer Corporation

Compaq, Registered U.S. Patent and Trademark Office.

COMPAQ POWER DISTRIBUTION UNIT KIT
QUICK INSTALLATION GUIDE FOR RACK-MOUNTED POWER DISTRIBUTION DEVICE

Second Edition (November 2000)
Part Number 215366-022

Compaq Computer Corporation

BAR CODE

About This Device

This guide serves as an outline to assist qualified personnel with the installation of the Compaq Power Distribution Unit (PDU).

The input voltage for this PDU is 200VAC to 240VAC. This PDU includes the following features:

- Mounts in either 0U or 1U configuration, offering maximum flexibility for rack space.

NOTE: 1U mounting kit sold separately (part number 215852-B21).

- Model 207590-B21 provides 12 receptacles on 2 circuit breakers.
- Models 207590-B31 and 207590-D72 provide 12 receptacles on 4 circuit breakers.
- Model 207590-B23 provides 9 receptacles on 5 circuit breakers.

Regulatory Compliance Information

All regulatory certifications for these products were obtained under the following agency series numbers. The corresponding part model numbers are shown.

■ 207590-B21	EO3022
■ 207590-D72	EO3023
■ 207590-B31	EO3023i
■ 207590-B23	EO3024



Important Safety Information Read Before Installing Product

Please refer to the *Important Safety Information* (guide included with the PDU kit) before installing this product.



WARNING: There is a risk of personal injury from electrical shock and hazardous energy levels. The installation of options and routine maintenance and service of this product must be performed by individuals who are knowledgeable about the procedures, precautions, and hazards associated with AC power products.

IMPORTANT SAFETY INSTRUCTIONS

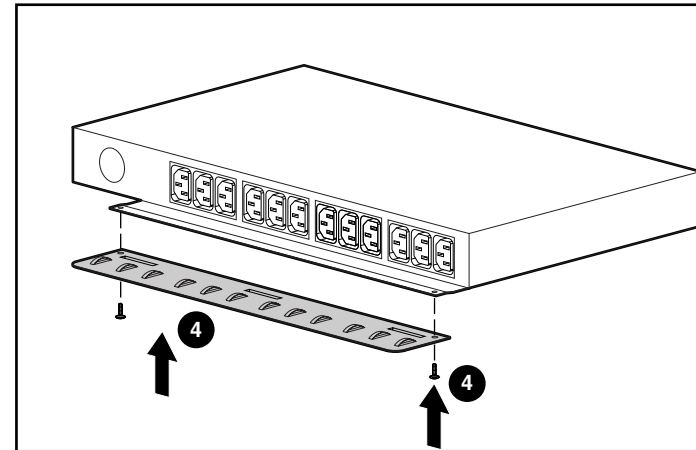
SAVE THESE INSTRUCTIONS - This Quick Installation Guide contains important instructions for the rack-mounted PDU that should be followed during installation.

Kit Contents

- Power Distribution Unit
- IEC-320 16A jumper cable (1) - for models 207590-B21 & 207590-B23
 - Additional cable: 3.0 m length, part number 295633-B21 (ordered separately)
- IEC-320 10A jumper cables (2)
 - Additional cables: 2.0 m length, part number 142257-001
 - 2.5 m length, part number 142257-002
 - 3.0 m length, part number 142257-003
 - 3.6 m length, right-angled, part number 142257-004 (all ordered separately)
- Assembly, 0U mounting hardware
 - Mounting brackets - 0U (2)
 - Screws ① mounting brackets to unit (6) [2 extra]
 - Screws ② mounting unit (0U) to rack (6) [2 extra]
- Cord retention hardware
 - Cord retention bracket
 - Screws ④ mounting bracket to unit (3) [1 extra]
- Tie wraps (15) [several extra]

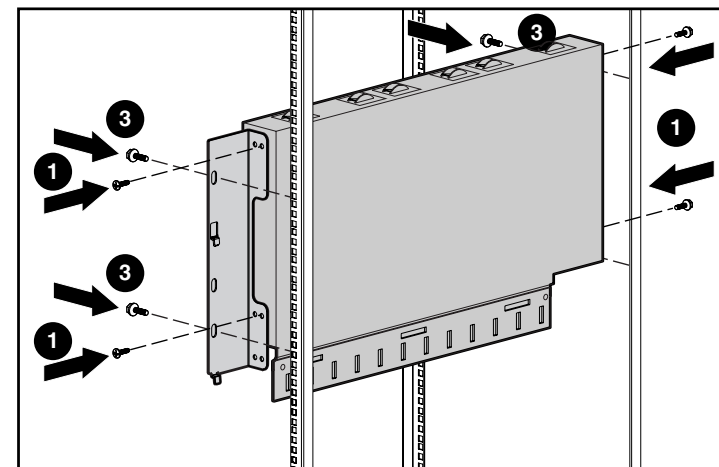
1 Installing the Cord Retention Bracket

Align the cord retention bracket with screw holes in unit. Use screws ④ to attach bracket to the bottom of the unit.



2 Installing the Unit - 0U Configuration

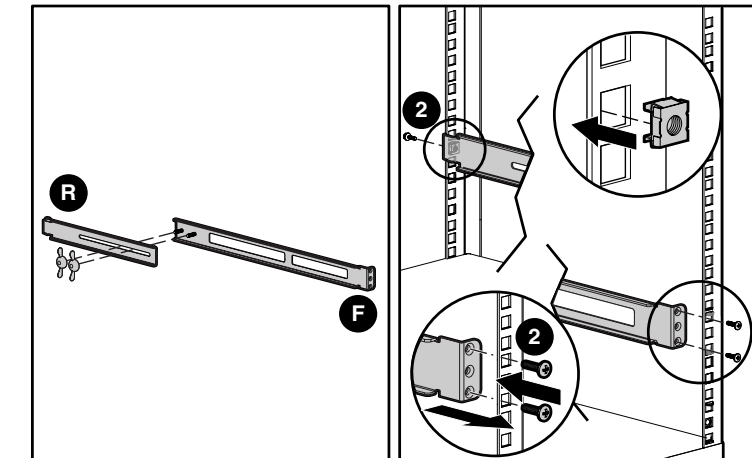
Align bracket with screw holes in unit. Use screws ① to attach brackets to the sides of unit. Secure the unit to side of rack by using screws ② (two on each side) to attach unit.



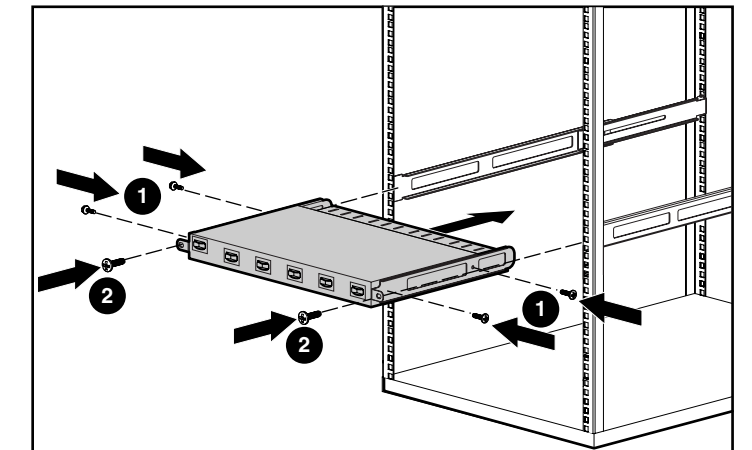
3 Installing the Unit - 1U Configuration

NOTE: The 1U installation rack template, rails, and screws are included in the 0U / 1U Installation kit, part number 215852-B21 (sold separately).

Use 1U installation template to select and align rack mounting holes. Place rear rail ⑥ over the studs in the front rail ⑤. Tighten the nuts finger tight. The mounting tab will be facing out, so the holes will align with the rack sides. Adjust the length of rail assembly to fit inside rack. Tighten the nuts. Insert the cage nuts (one on each side) in rack. Set hooks at rear of rail over holes in rack. Use screws ② (one on each side) to attach the rails to the rear of the rack, through the cage nut. Use screws ② (two on each side) to attach the rails to the front of the rack.

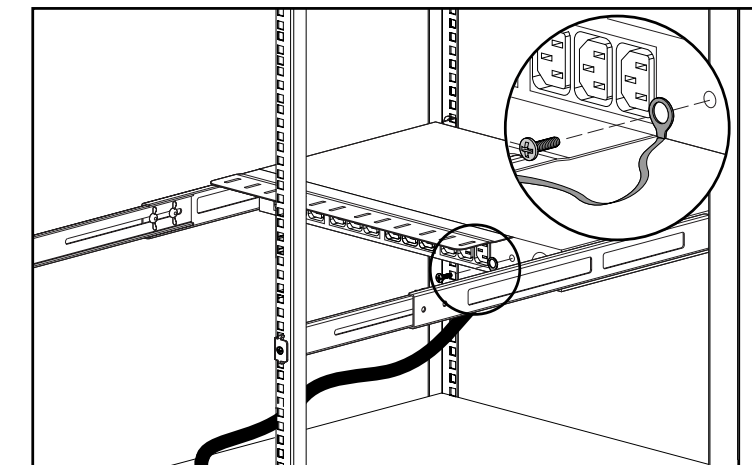


Align bracket with screw holes in unit. Use screws ① to attach brackets to the sides of the unit. Slide unit into rails and secure by using screws ② to attach unit.



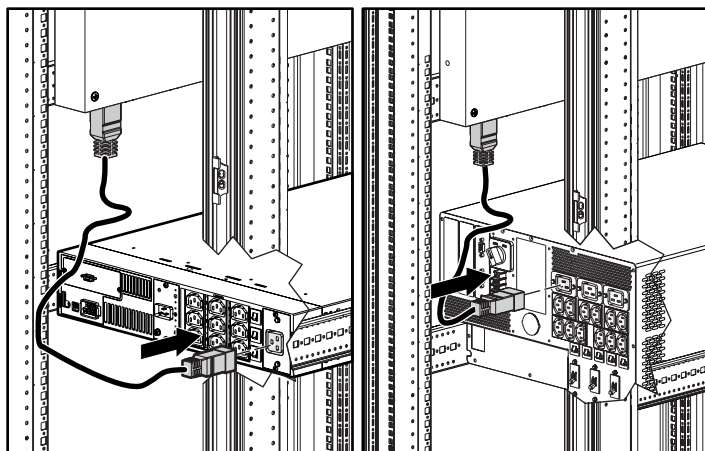
4 Using the Ground Bonding Screw

A ground bonding screw is provided on the rear of the unit as an attachment point for conductors, should the rack contain any conductors used for the purpose of grounding or bonding of ungrounded metal parts.



5 Connecting PDU to the UPS (model 207590-B21)

When installing the 16A IEC-to-IEC power cord for connectivity between the Compaq High Voltage PDU (part number 207590-B21) and these Compaq UPS models, install the power cord as shown.



Compaq R3000 XR UPS
(International models only, for the North America and Japan models, order part number 340653-001)

Compaq R6000 Series UPS

6 Attaching the Input Line Cord (model 207590-B21)

Connect the detachable power cord now. If the appropriate power cord is not included in the PDU kit, contact your authorized Compaq service representative to obtain the proper power cord. Suitable power cords include:

- Euro 295547-002
- UK 295547-031
- Denmark/Switzerland 295547-003
- South Africa/India 295547-AR1
- Australia/New Zealand 295547-011

7 Connecting Devices

When connecting devices to this PDU, distribute loads to remain within the capability of the load group and the PDU.

Model 207590-B21 has twelve receptacles, divided into two load groups, with each load group controlled by a circuit breaker. Load groups 1 and 2 are rated at 8A each and contain six receptacles each. This model has a maximum rating of 16A.

Models 207590-B31 and 207590-D72 have twelve receptacles, divided into four load groups, with each load group controlled by a circuit breaker. Load groups 1, 2, 3 and 4 are rated at 8A each and contain three receptacles each. Model 207590-B31 has a maximum rating of 32A. Model 207590-D72 has a maximum rating of 24A.

Model 207590-B23 has nine receptacles, divided into five load groups, with each load group controlled by a circuit breaker. Load groups 1, 2, and 3 are rated at 12A each and contain one receptacle each. Load groups 4 and 5 are rated at 8A each and contain three receptacles each. This model has a maximum rating of 40A.

Hardwiring

Model 207590-B23 must be hardwired by a qualified electrician in accordance with local electrical installation codes.

Safety Precautions

Take the following safety precautions when connecting multiple pieces of information technology equipment to UPS and PDU units.



WARNING: HIGH LEAKAGE CURRENT
EARTH CONNECTION ESSENTIAL BEFORE CONNECTING SUPPLY

The summation of the input power for multiple pieces of Information Technology Equipment through the use of a UPS or PDU can result in high leakage currents.

If the total system leakage current for a system of components exceeds 3.5 mA:

- The use of a detachable input power cord for the UPS or PDU is prohibited.
- The input cord must be securely attached to the UPS or PDU and it should be connected to the AC Mains by hard wiring or through the use of a non-residential, industrial style plug that maintains positive earth connection.
- If the total system leakage current through the ground conductor exceeds 5% of the input current per line, under normal operating conditions, the system loads should be divided among multiple power connections.



WARNING: To reduce the risk of personal injury resulting from electric shock, do not remove the cover from the Power Distribution Unit. There are no field-serviceable or user-serviceable components inside.

About the Circuit Breakers

The circuit breakers protect the PDU and all devices connected to it from damage caused by an incoming electrical surge or equipment malfunction.

If power to a device is interrupted, check the circuit breakers and reset, if necessary.

If power is still not restored, contact your authorized Compaq service representative at 1-800-OK-COMPAQ (1-800-652-6672). For continuous quality improvement, calls may be recorded or monitored.

For additional information, visit the Compaq website at www.compaq.com.

Installation is complete.